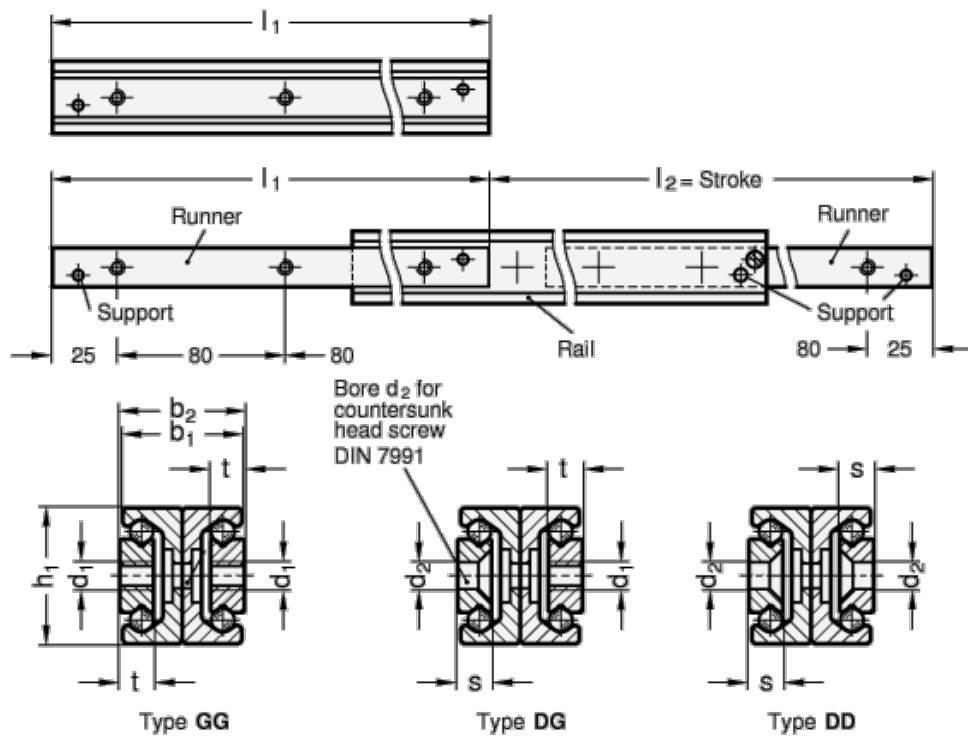


Article number: 20240828530DD

Description: E+G Telescope-Lear motion bearings GN 2408-28-530-DD

## Measures



b1 = 24.6

b2 = 25.8

d1 =

d2 = 5.5

h1 = 28

L1 = 530 - 548

s = 4

t =

Weight in (g) = 2230